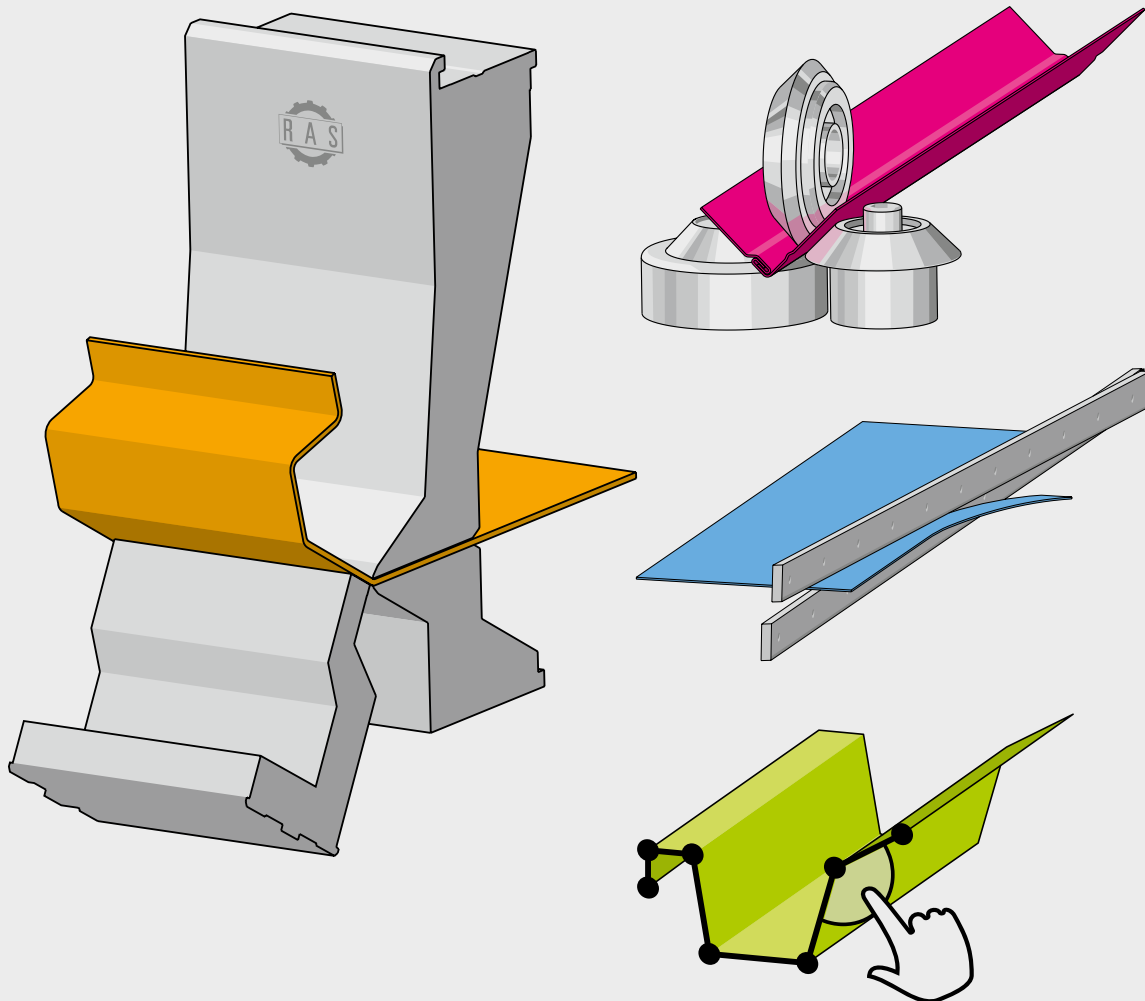


Production Program



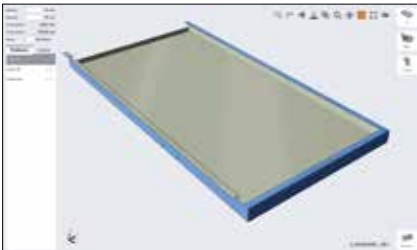
CUTTING

BENDING

FORMING

SOFTWARE

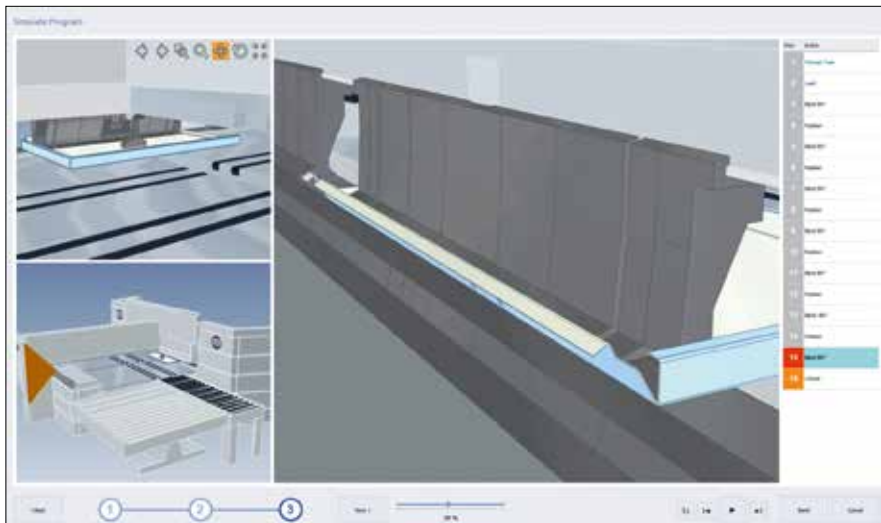
Multibend-Center



Office software with one-click programming starting from a STEP, DXF, GEO file of the part. No expert knowledge required. Fast, safe, precise.



The best bending sequences are shown according to the highest 5-star ranking.



The 3D simulation shows the folding sequence and possible collisions. New products can already be evaluated during the design process.



The Multibend-Center is characterized by speed and high productivity levels.



Fully automatic bending sequences: positioning, rotation, bending, and tool change.



Scratch-free bending of sensitive materials. No tool wear.



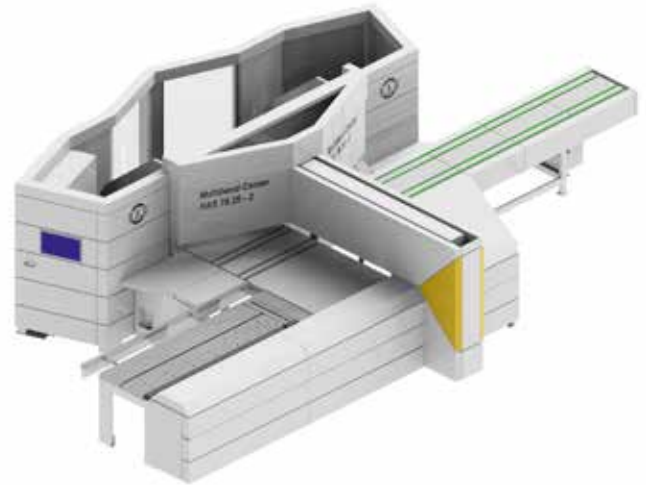
Due to highest levels of precision and repeatability, the parts are suitable for laser welding.



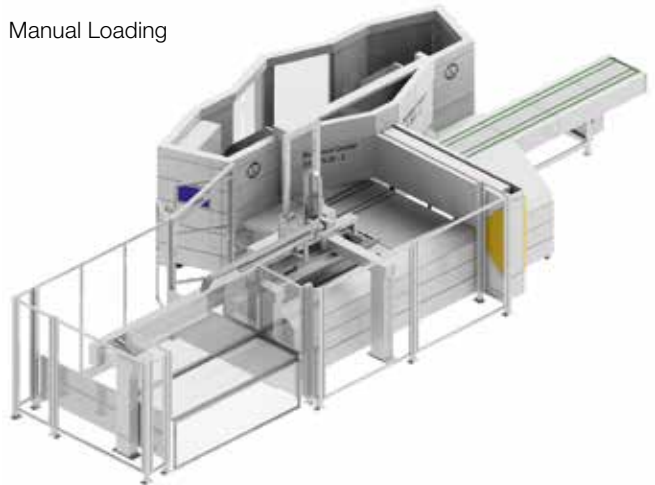
Four-sided boxes can be as tall as 203 mm.

Loading

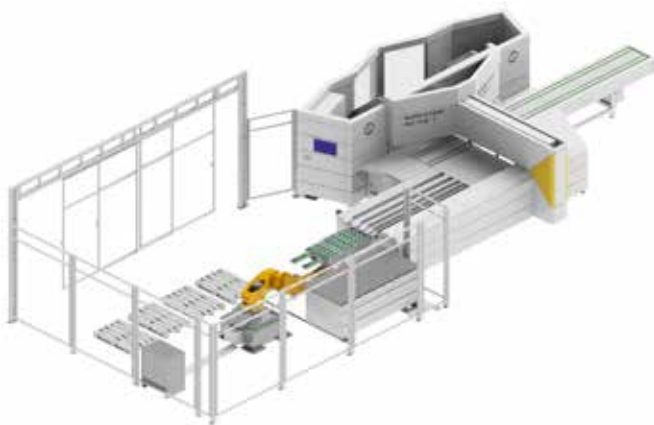
In addition to manual loading and unloading, a variety of options for automatic blank loading and unloading of bent parts is available. Depending on the requested degree of automation and the manufacturing conditions, the handling systems on the loading and unloading side can be individually configured.



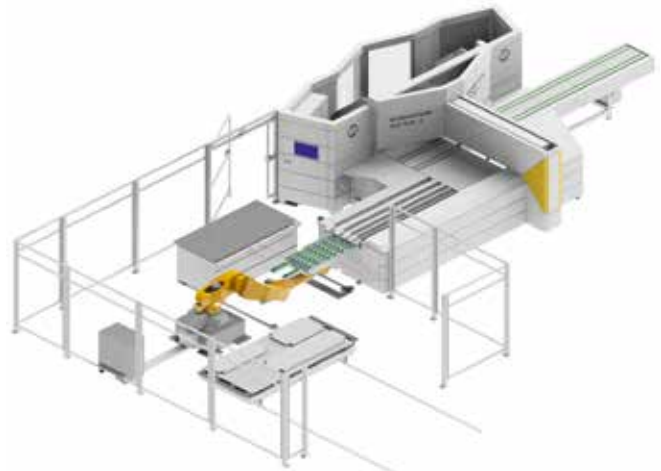
Manual Loading



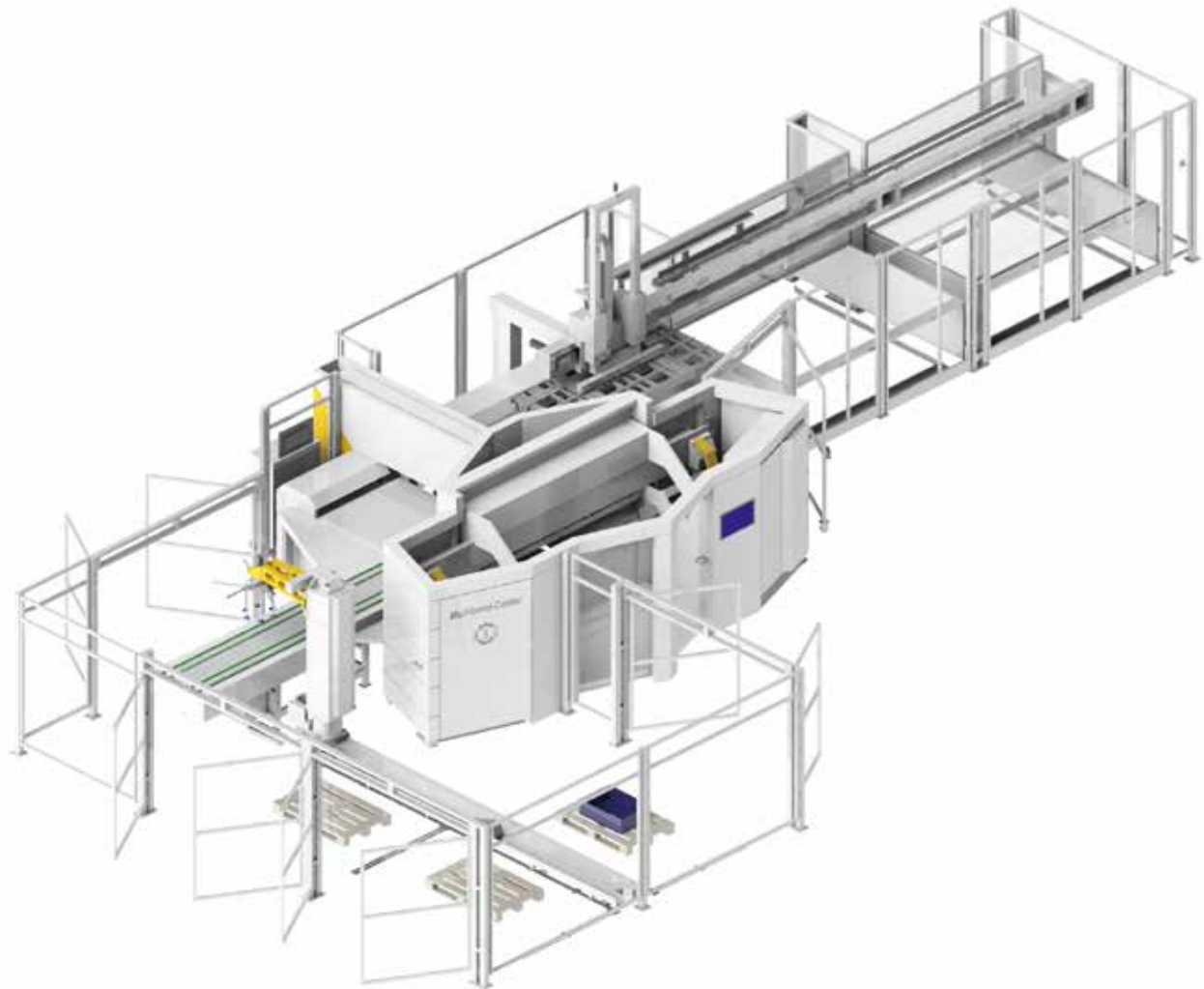
Multibend-Center with single station gantry loader (optional two station gantry loader).



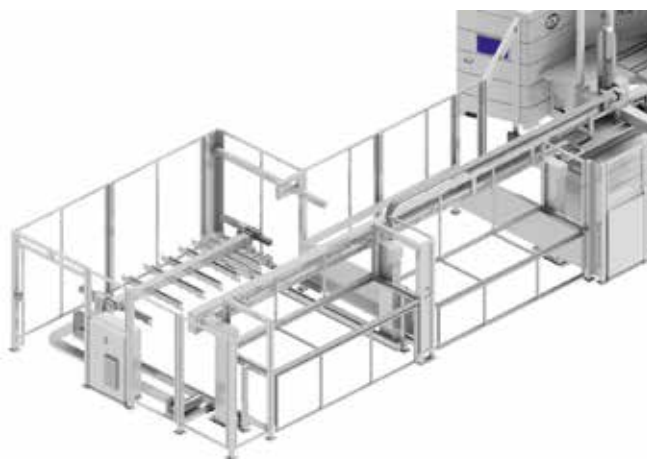
Multibend-Center with robot loading. Provision of the blanks on Euro-pallets. The robot can also flip the blanks. Intelligent robot: No programming or teaching required.



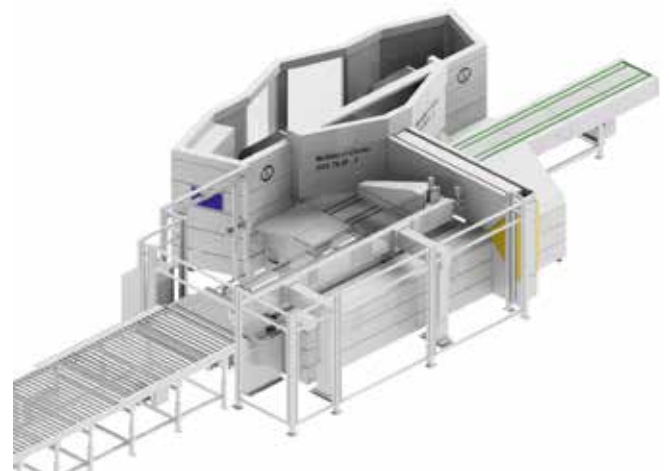
Multibend-Center with robot loading. Blanks supplied from a storage system. The robot can also flip the blanks. Intelligent robot: No programming or teaching required.



Multibend-Center with two station gantry loader and stacking with 3-Station Palletizer (max 11 stacks) or 5-Station Palletizer (max 15 stacks)



Two station gantry loader with SheetFlipper for blank rotation before loading.

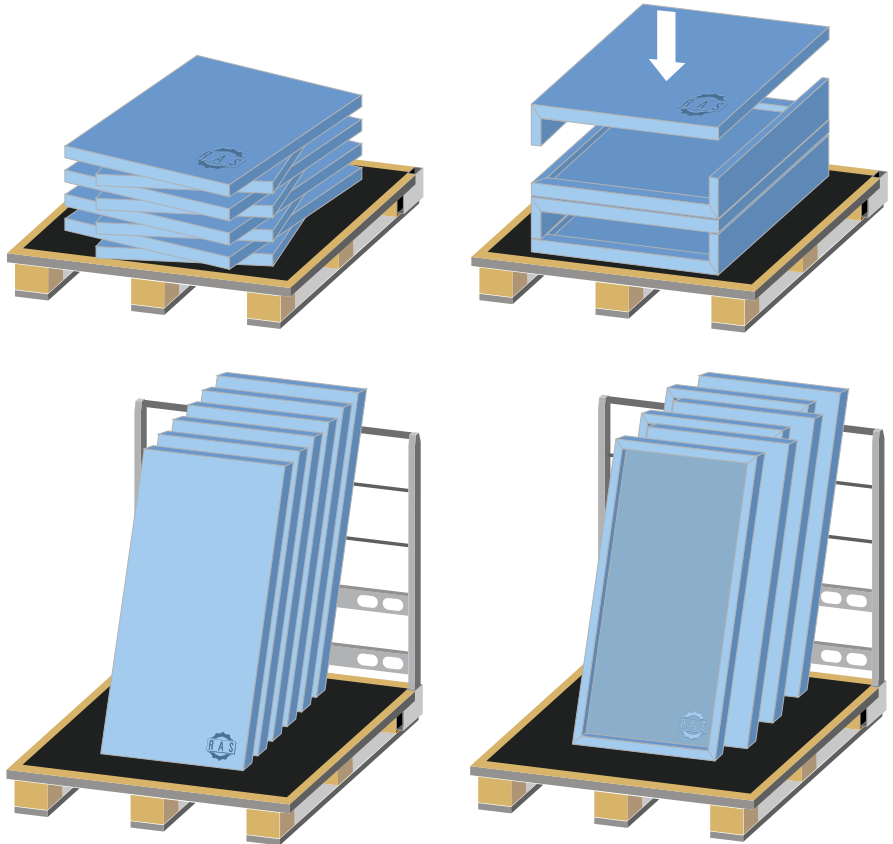


Multibend-Center with blank supply via roller table and loading by MiniFeeder.

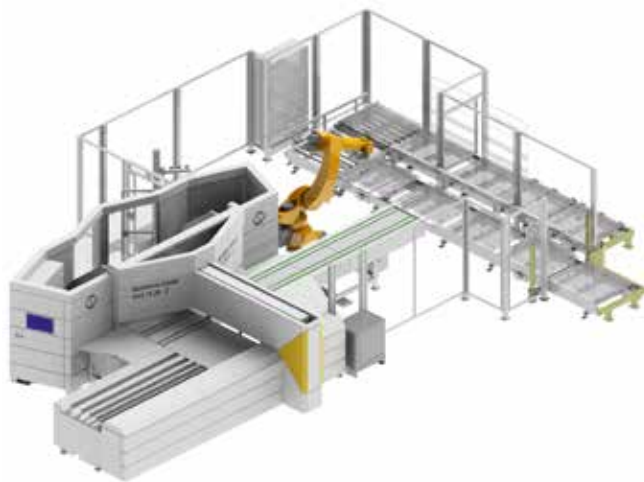
Unloading



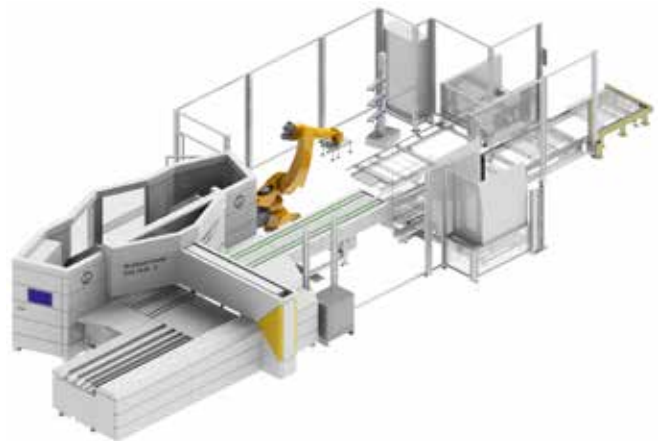
Rotator system for finished parts.



Samples of stacks created by the unloading robot

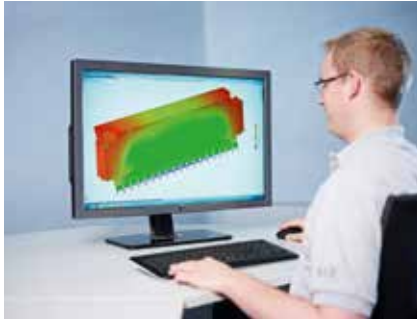


Multibend-Center with intelligent unloading robot. Optional rotation of finished parts before stacking. U-shape pallet system provides pallets.



Multibend-Center with intelligent unloading robot. Optional rotation of finished parts before stacking. Pallets provided by pallet magazine. Back panels for vertical stacking provided by back panel magazine.

Technical data	Bending length max.	Sheet thickness max.	Box height max.
Multibend-Center RAS 79.31-2	3060 mm	2.0 mm	203 mm
Multibend-Center RAS 79.26-2	2560 mm	2.0 (2.5) mm	203 mm
Multibend-Center RAS 79.22-2	2160 mm	2.0 (2.5) mm	203 mm



Design



Sawing



Plasma cutting



Milling



Turning



Grinding



Welding



Powder coating



Assembly



Electrical assembly



Quality inspection



RAS - Regional production for global sustainability



Headquarters in Sindelfingen. In the foreground „Steel object“.



Effringen - factory and artwork



RAS Systems LLC in Georgia, USA



Founder Wilhelm Reinhardt



Managing Directors Rainer Stahl, Matthias Huber und Willy Stahl

All sheet thickness refer to 400 N/mm²
tensile strength. Subject to changes.
Pictures may show options.